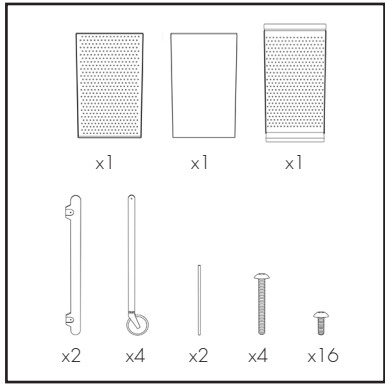
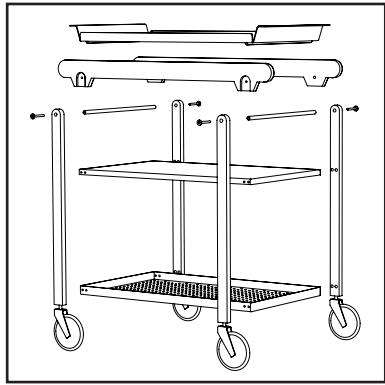


ASSEMBLY INSTRUCTIONS  
ANOON

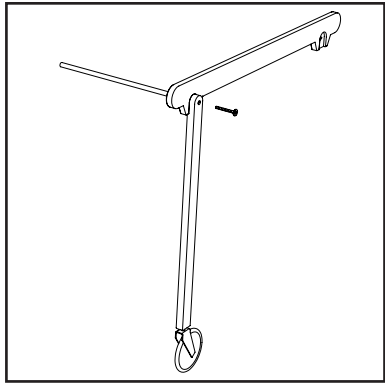




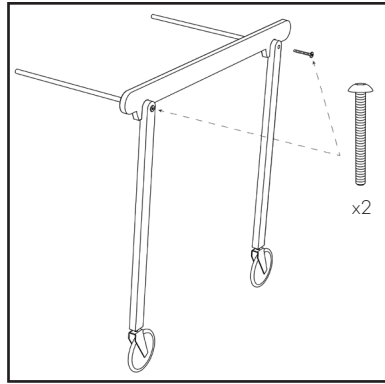
1



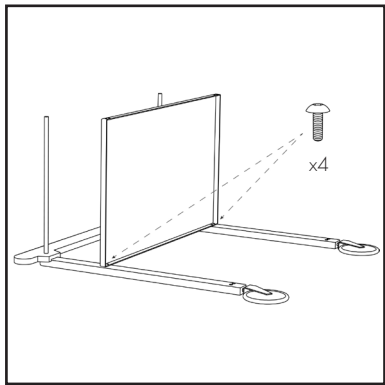
2



3



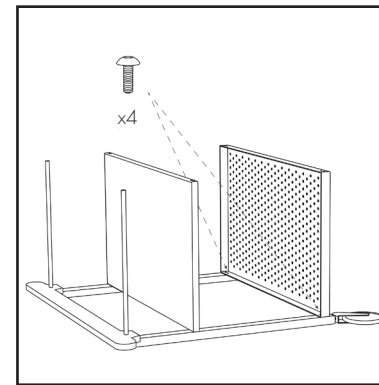
4



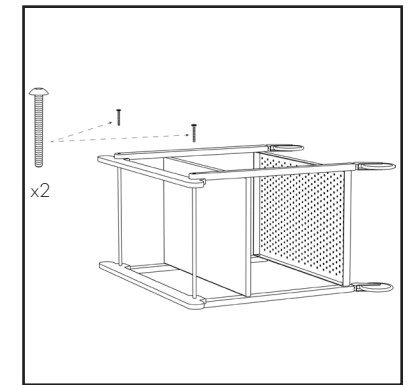
5

#### ASSEMBLY STEPS FOR IMAGES

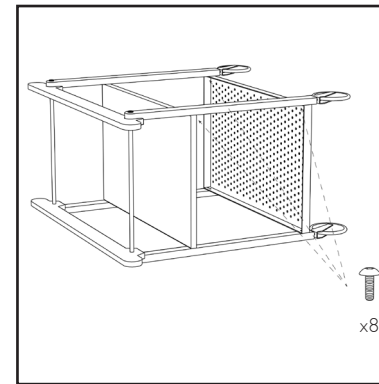
- 1 Parts included in your package
- 2 Overview of assembly
- 3 Attach the leg to the top beam and cross support by screwing clockwise
- 4 Repeat step 3 for the second leg
- 5 The middle shelf is attached with two small screws on each side



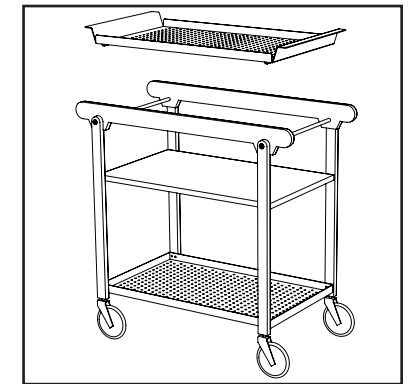
6



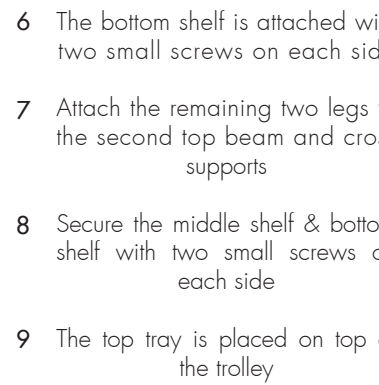
7



8

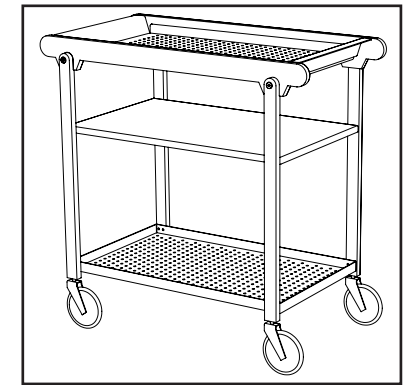


9



10

- 6 The bottom shelf is attached with two small screws on each side
- 7 Attach the remaining two legs to the second top beam and cross supports
- 8 Secure the middle shelf & bottom shelf with two small screws on each side
- 9 The top tray is placed on top of the trolley
- 10 Finally, tighten all screws



10