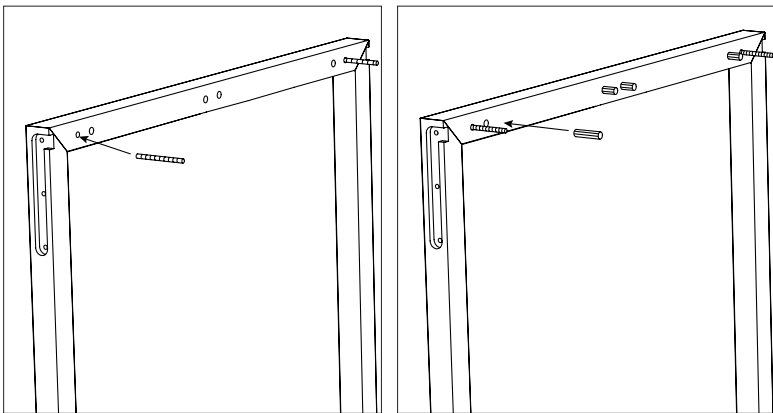
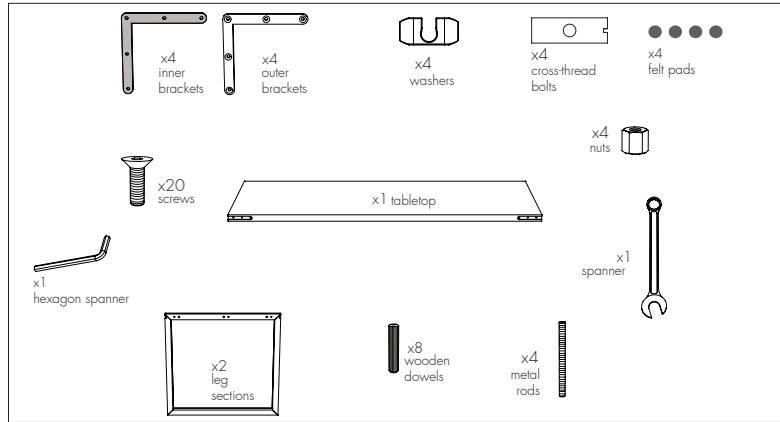


ASSEMBLY GUIDE  
CONEKT BENCH  
~

*by Lassen.*  
Copenhagen

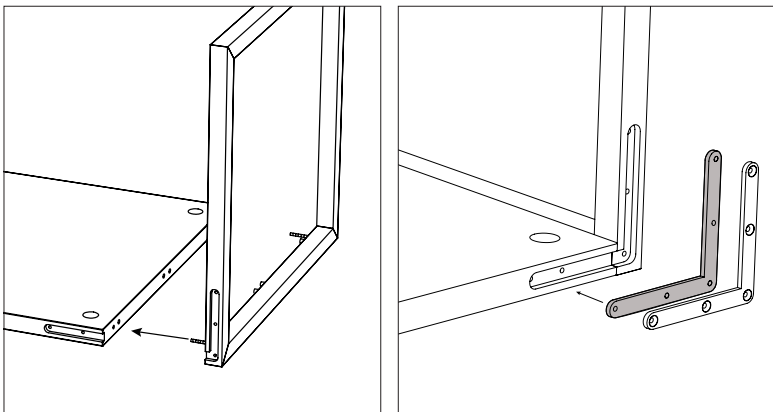
# CONEKT BENCH

## ASSEMBLY GUIDE FOR CONEKT BENCH



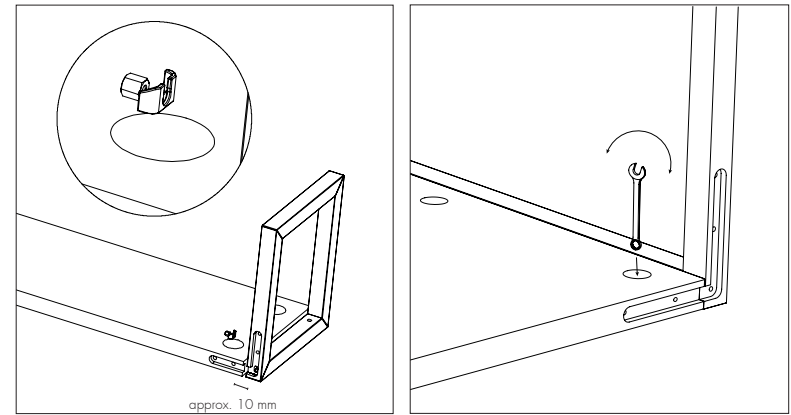
1

2



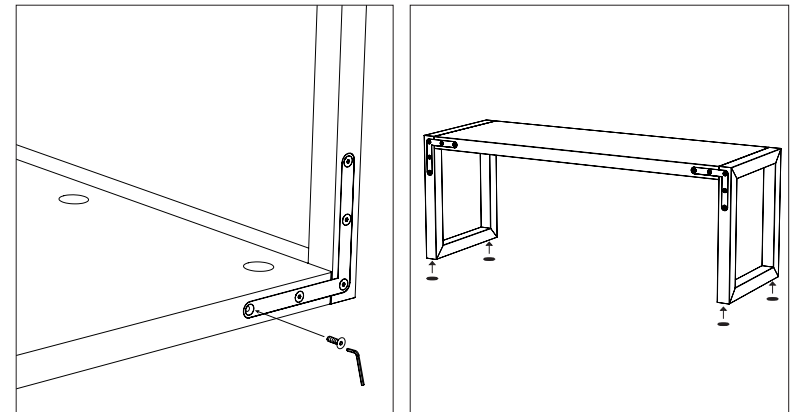
3

4



5

6



7

8

1. Screw the eight threaded metal rod pieces clockwise into the matching holes in the leg sections.
2. Insert the eight wooden dowels into the matching holes in the leg sections.
3. Connect the leg sections to the seat. Please make sure not to scratch the seat when facing upside down by placing a blanket underneath.
4. Place the brackets in all four corners, making sure that the brackets with the sunken holes are placed on the outside.
5. Attach the washer and nut to the threaded metal rod. Quick tip – it can be easier to mount the nut if the leg sections are left with a gap of approx. 10mm to the end of the seat.
6. Use the spanner to tighten the nut by turning it clockwise. Make sure all eight nuts are tightened evenly.
7. Insert the screws into the pre-drilled holes and tighten them by turning them clockwise.
8. Finally add felt pads and well done.