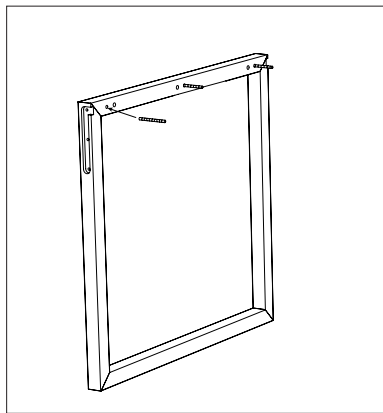
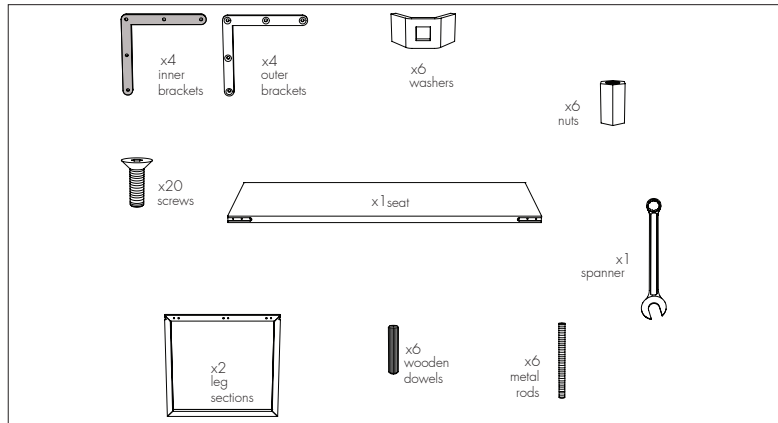


ASSEMBLY GUIDE
CONEKT BENCH
~

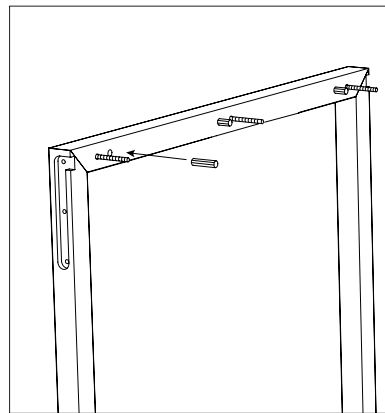
by Lassen.
Copenhagen

CONEKT BENCH

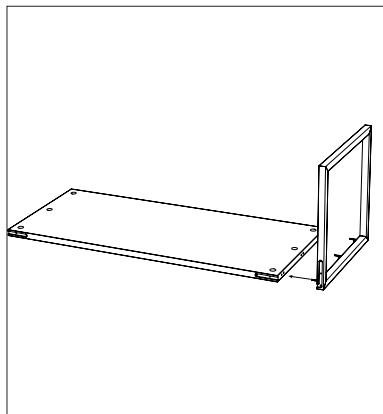
ASSEMBLY GUIDE FOR CONEKT BENCH



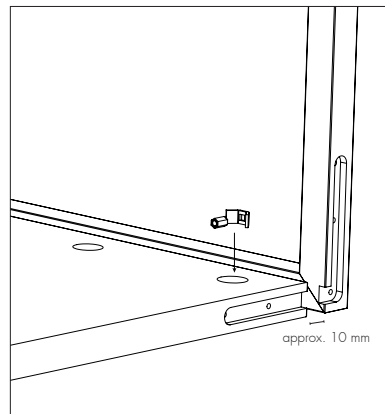
2



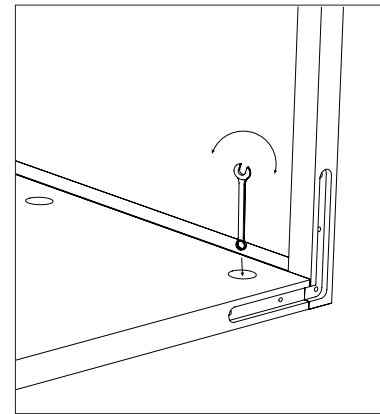
3



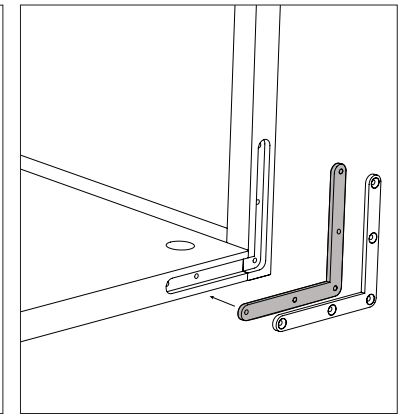
4



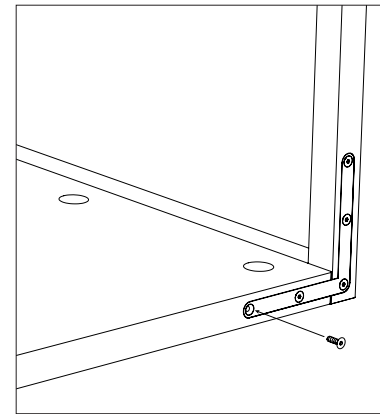
5



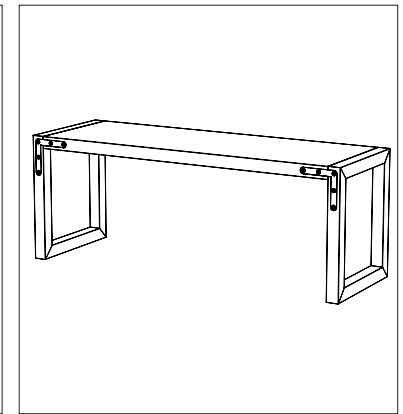
6



7



8



9

- 1 Package contents.
- 2 Screw the eight threaded metal rod pieces clockwise into the matching holes in the leg sections.
- 3 Insert the eight wooden dowels into the matching holes in the leg sections.
- 4 Mount the leg sections to the seat. Please make sure not to scratch the seat when facing upside down by placing a blanket underneath.
- 5 Attach the washer and nut to the threaded metal rod. Quick tip – it can be easier to mount the nut if the leg sections are left with a gap of approx. 10mm to the end of the seat.
- 6 Use the spanner to tighten the nut by turning it clockwise. Make sure all eight nuts are tightened evenly.
- 7 Place the brackets in all four corners, making sure that the brackets with the sunken holes are placed on the outside.
- 8 Insert the screws into the pre-drilled holes and tighten them by turning them clockwise.
- 9 You are done. Enjoy!